



## Integrated Economic Statistics



## Business Registers





# Outline



- Purpose
- Conceptual model
- An example: The ABS model
- What is going on in the Pacific Region
- Acknowledgements





# Purpose

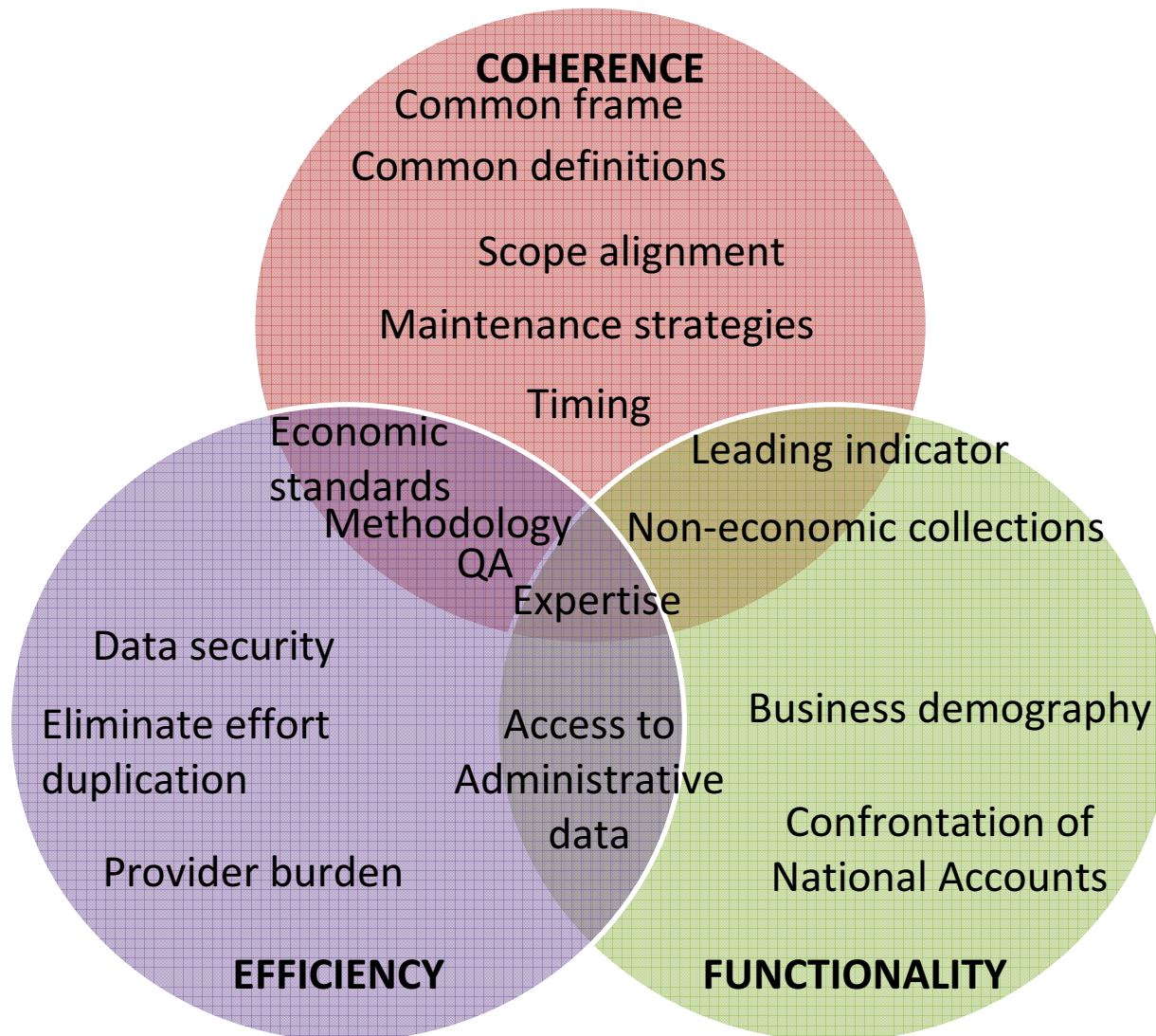


- Coherence
  - Ensuring that all business statistics tell the same story
- Efficiency
  - Elimination of effort duplication both within and outside the organisation
- Functionality
  - develop new capabilities that might not necessarily be possible in a decentralised system





# Purpose





# Conceptual Model



Identification	1. Unit Distinguishable Unique Tangible
----------------	--



# Conceptual Model



Identification 1. Unit	Distinguishable Unique Tangible		
Characteristics 2. Unit	<u>Life Status</u> (operating, ceased)	<u>Type of business entity</u> (sole trader, partnership, company)	<u>Operating Location</u>
	<u>Relative Size</u> (no of emp, turnover, tonnage)	<u>Ownership</u> (public, private)	<u>Contact information</u>





# Conceptual Model



Identification 1. Unit	Distinguishable Unique Tangible			
Characteristics 2. Unit	<u>Life Status</u> (operating, ceased)	<u>Type of business entity</u> (sole trader, partnership, company)	<u>Operating Location</u>	
	<u>Relative Size</u> (no of emp, turnover, tonnage)	<u>Ownership</u> (public, private)	<u>Contact information</u>	
Transactions 3. Unit	Operating	Balance Sheet	Financial Performance	Employee & Payroll

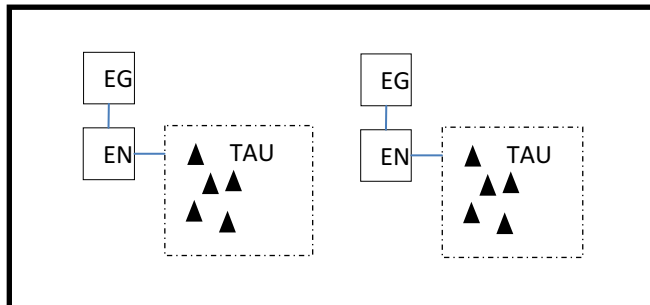




# The ABS Model

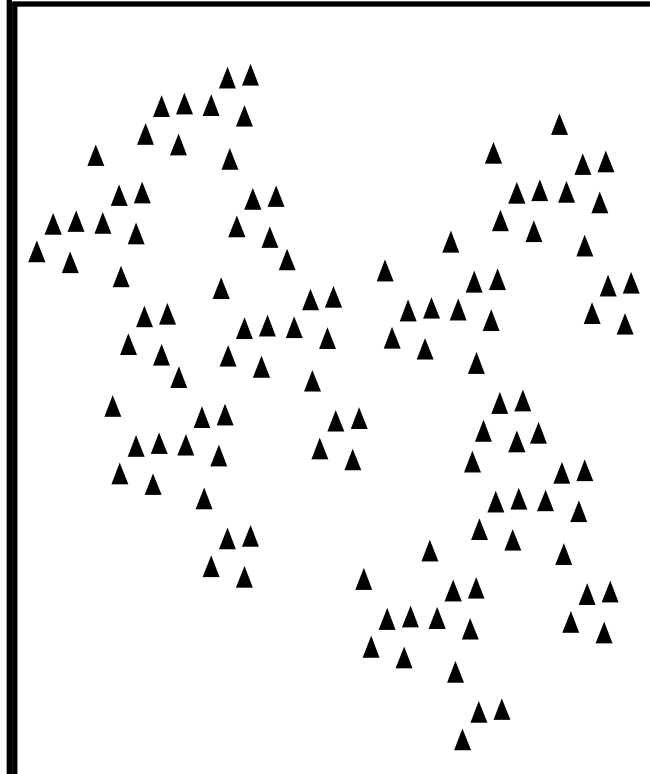


PROFILED  
POPULATION



- Complex in structure
- Institutional unit  $\neq$  statistical unit
- Significant in size
- Approximately 12,500 TAUs

NON-  
PROFILED  
POPULATION



- Simple in structure
- Institutional unit = statistical unit
- Smaller in size
- Approx. 5.1 million active ABNs

Abbreviations:

EG:	Enterprise Group Unit
EN:	Enterprise Unit
TAU:	Type of Activity Unit





# What's going on in the Pacific Region?



- ABS and SPC developed a Pacific Business Register Development Guide
- Finalised last Friday and will be published by the end of 2013
- Fiji and PNG reviewed and upgraded
- Vanuatu (Oct), Tonga and Solomon Islands (Feb)
- Samoa would be a good candidate



# Acknowledgements

- This and other contributions are made possible by funding from Australian Aid (AusAID)
- The Australian Bureau of Statistics and AusAID are pleased to be partners in the WAVES program, and in particular assisting with the implementation of the SEEA in the Asia-Pacific.

